

NCT-200

NCT-200

**NEW
MODEL**

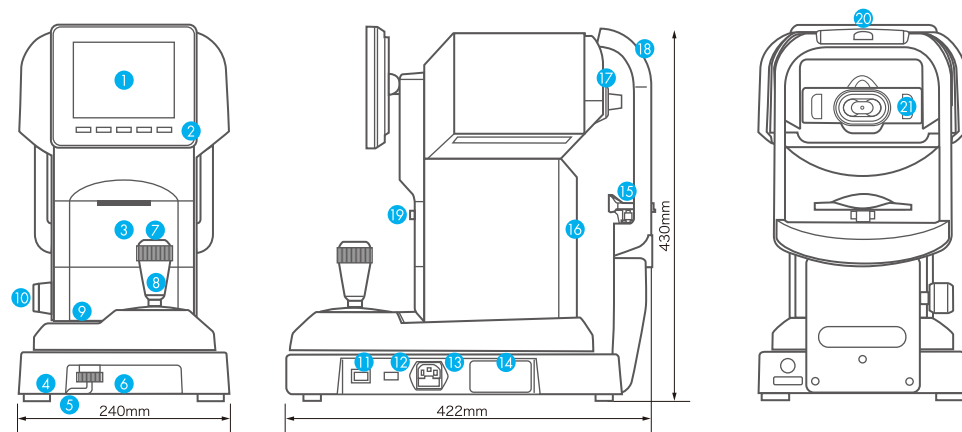
SPECIFICATIONS

Intraocular pressure (IOP) measurement range	1mmHg~60mmHg/0.1kPa~8.0kPa
Measurement resolution	1mmHg/0.1kPa
Working distance	11mm
Stimulus	Fixation light: green (blinking/non-blinking options)
Start-up method	Manual, automatic
IOP correction function	With a corneal thickness input function
Built-in monitor body	5.7 inch color LCD monitor
Printer	thermal line printer (paper width 58mm)
Power voltage/frequency	AC100V-240V, 50/60Hz
Power consumption	60VA
Power saving function	OFF, 3, 5, 10min. (selectable)
Data Output	RS-232C interface
Size	(W) 240mm (D) 422mm (H) 430mm
Movement range of the measurement unit	Forward/backward ±22mm Horizontal direction ±43mm Vertical direction ±17mm
Movement range of the chin rest	vertical ±30mm
Movement range of LCD	+30°swivel (left only) +40°tilt
Weight	approx. 13kg

NCT-200 Standard Accessories

- Operation Manual
- Power cord
- Printer paper
- Fuse
- Dust cover
- Measuring nozzle cap
- Paper covers for chin rest
- Chin rest cover pin

External diagram (to scale) and Part Identification



- | | | |
|-------------------------------|----------------------------------|------------------------------------|
| 1 LCD monitor | 8 Joystick | 15 Chin rest |
| 2 Touch sensor panel | 9 Contact prevention lock button | 16 Body cover |
| 3 Printer cover | 10 Chin rest knob | 17 Face cover |
| 4 Base | 11 Power switch | 18 Head rest |
| 5 Rubber feet | 12 RS-232C connector | 19 Printer cover open/close button |
| 6 Main unit sliding lock knob | 13 Power plug connector | 20 Rubber head rest |
| 7 Measurement start switch | 14 Rating plate | 21 Measuring nozzle |

Introducing our Smart & Silent
Non-contact Tonometer!

Non-Contact
TONOMETER
NCT-200

Design and specifications are subject to change without notice.



Imported, Distributed & Serviced by:

Biotech Vision Care Pvt. Ltd.
210, Sarthik-II, Opp. Rajpath Club, Sarkhej - Gandhinagar Highway, Ahmedabad - 380054, Gujarat, India
Phone / Fax : +91-79- 40038374 / 26870193, E-mail: sales@biotechvisioncare.com, Web: www.biotechvisioncare.com