



EVERYTHING IS POSSIBLE NOW

EYECRYL™ PHAKIC

Phakic Aspheric IOL

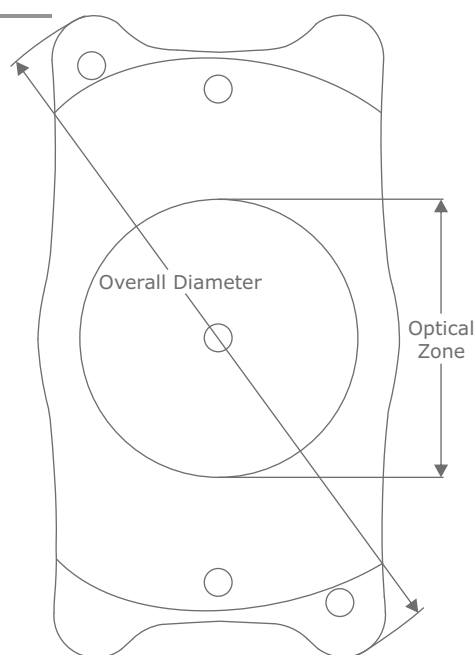
## Features

- **Peripheral Iridectomy Not Required**
- **High order Myopic Correction (-3.0 D to -23.0 D)**
- **Excellent Positional Stability**
- **Predictable Outcomes**
- **High Patient Comfort & Satisfaction**
- **Aspheric Optic With Zero Aberration**

## Specifications

Material	Hydrophilic 26%
Optic Size	4.65 mm To 5.50 mm
Overall Size	12.0 mm to 13.0 mm
Refractive Index	1.461
Diopter Range	-3.0 D to -23.0 D
Implantation Site	Posterior Chamber
Sterilization	Steam

## Diagram



Model	Size (mm)	Diopter Range (D)
PKC120NH	6.5 x 12.0	- 3.0 to -23.0
PKC125NH	6.5 x 12.5	- 3.0 to -23.0
PKC130NH	6.5 x 13.0	- 3.0 to -23.0